



Construction No. 572 TGKX.572 Roof Deck Constructions

[Page Bottom](#)

Design/System/Construction/Assembly Usage Disclaimer

- Authorities Having Jurisdiction should be consulted in all cases as to the particular requirements covering the installation and use of UL Certified products, equipment, system, devices, and materials.
- Authorities Having Jurisdiction should be consulted before construction.
- Fire resistance assemblies and products are developed by the design submitter and have been investigated by UL for compliance with applicable requirements. The published information cannot always address every construction nuance encountered in the field.
- When field issues arise, it is recommended the first contact for assistance be the technical service staff provided by the product manufacturer noted for the design. Users of fire resistance assemblies are advised to consult the general Guide Information for each product category and each group of assemblies. The Guide Information includes specifics concerning alternate materials and alternate methods of construction.
- Only products which bear UL's Mark are considered Certified.

Roof Deck Constructions

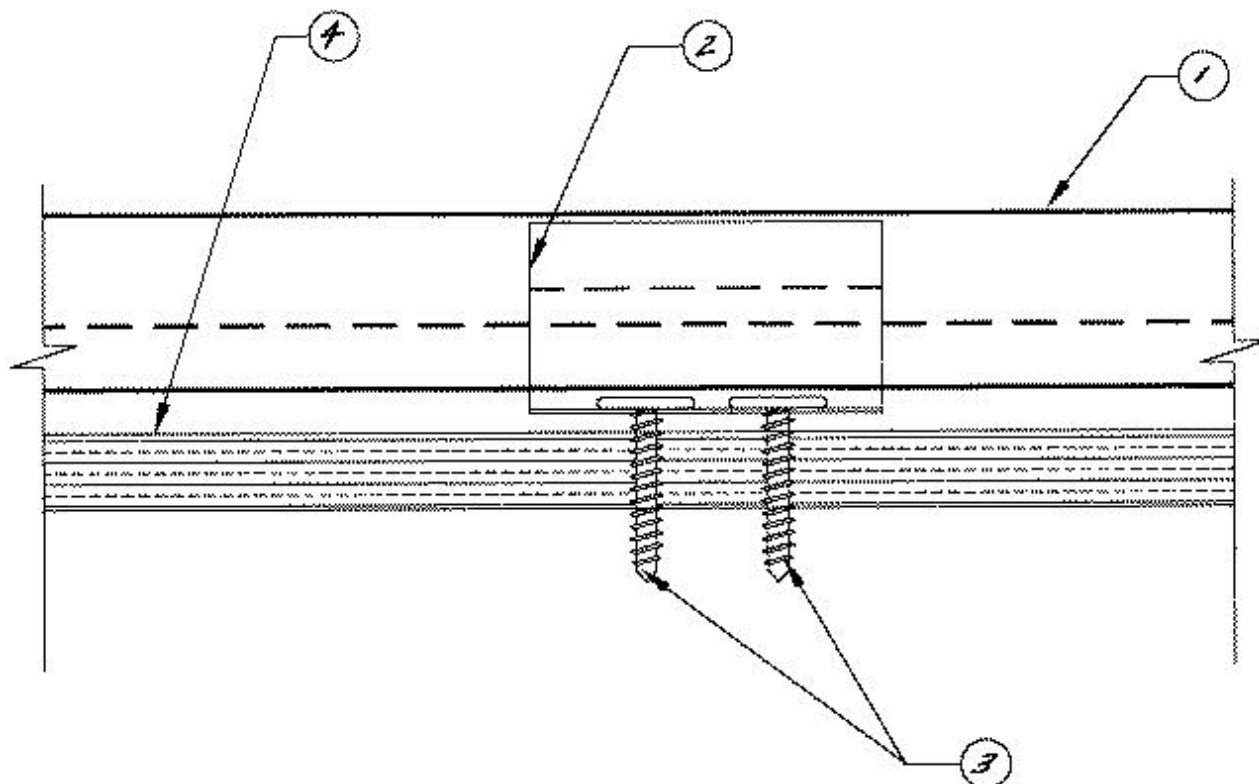
[See General Information for Roof Deck Constructions](#)

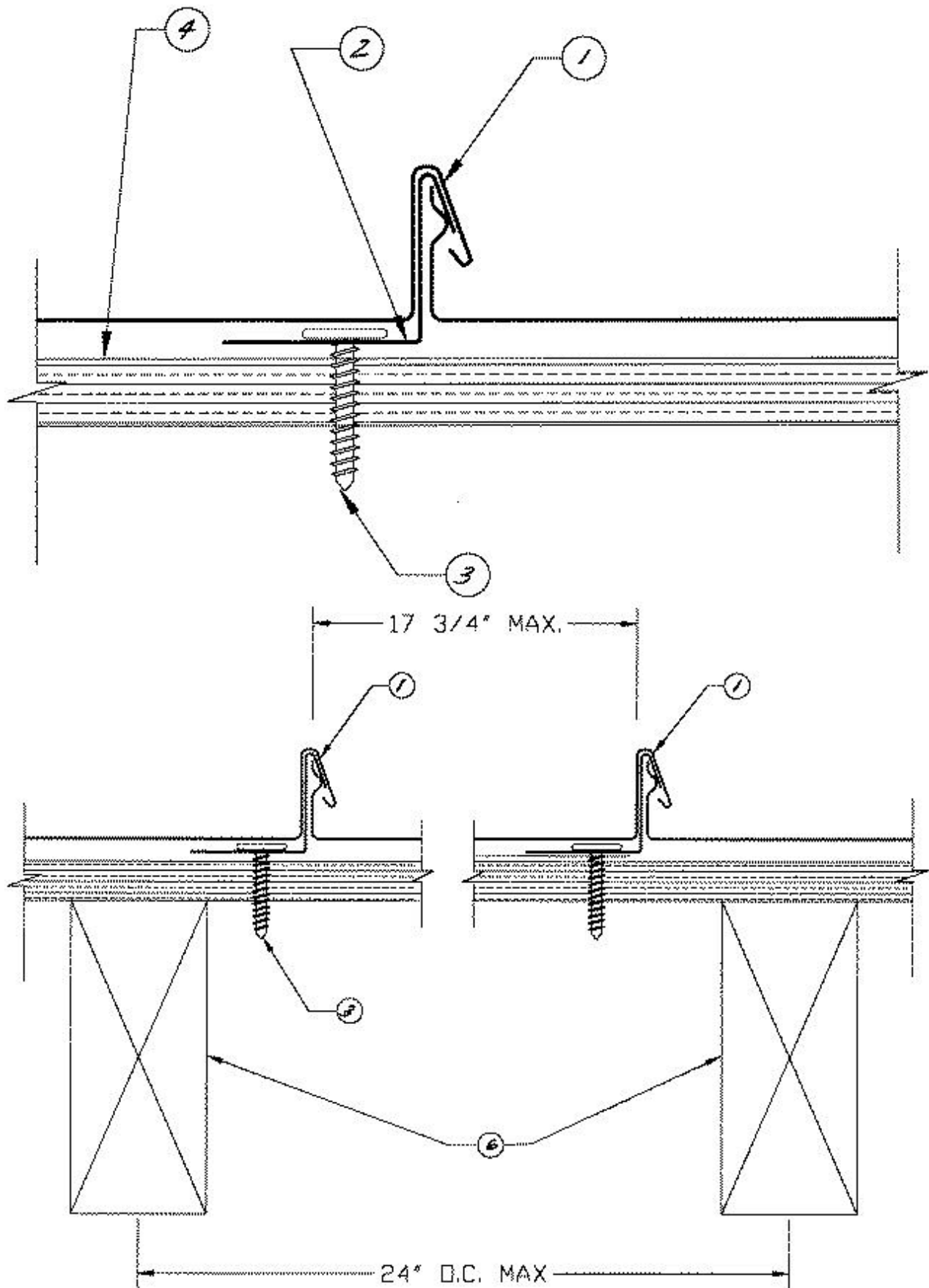
Construction No. 572

November 09, 2012

Uplift – Class 90

Fire Not Investigated





1. **Metal Roof Deck Panels*** — No. 26 MSG min coated steel. Max panel width 17-3/4 in. Rib height nominal 1 in. Panels continuous over two or more spans. A bead of sealant may be used at panel endlaps.

MCELROY METAL MILL INC ([View Classification](#)) — "ABC Instaloc"

2. **Roof Deck Fasteners: (Panel Clips)** — One piece clip, 24 MSG minimum coated steel, 2 in. long by 1-3/32

in. high. Base of one piece clip 1.275 deep with two 0.188 in. dia thru-holes for fasteners (screws). Panel clips located at sides of panels spaced 24 in. OC maximum.

MCELROY METAL MILL INC ([View Classification](#)) — "ABC Instaloc Clip"

3. Fasteners - (Screws) — Screws used to attach panel clips to oriented strand board (OSB) to be No. 10 x 1, Type A pancake head screw with a No. 2 phillips sized head. Two screws per clip. Fasteners used to attach OSB or plywood substructure (Item 4) to wood trusses or joists to be No. 8 by 2-1/2, 8d common deformed shank nails. As an optional fastener, No. 8 by 2 bugle head screws can be used. When light gauge structural steel joists are used, screws to NO. 12 by 1-5/8 in. long with phillips head. Fasteners to be spaced 6 in. OC at edges and 8 in. OC in the interior to attach to joists (Item 6).

4. Substructure - (OSB or Plywood) — Decking to be minimum, nominal 7/16 in. thick oriented strand board (OSB). Optional plywood deck, nominal 1/2 thick plywood, exposure sheathing span CDX, 40/20 may be used. All butt joints to be sealed against leakage by using tape and/or caulk.

5. Moisture Barrier — (Optional - Not Shown) Any suitable membrane to protect substructure (Item 3).

5A. Felt Paper — (Optional - Not Shown) One ply, 30# per 100 sq ft.

6. Joists — Joists space at 2 ft, 0 in. OC, may be one of the following:

A. Nom 2 by 6 in. wood joists No. 2 or better.

B. Nom 2 by 4 in. wood when used on a top cord of a wood truss, No. 2 or better.

C. Light gauge structural steel framing with the member against the plywood to be a min No. 22 MSG coated steel.

Refer to General Information, Roof Deck Construction, (Roofing Materials and Systems Directory) for Items Not Evaluated.

*Bearing the UL Classification Mark

Last Updated on 2012-11-09

[Questions?](#)

[Print this page](#)

[Terms of Use](#)

[Page Top](#)

© 2013 UL LLC

When the UL Leaf Mark is on the product, or when the word "Environment" is included in the UL Mark, please search the [UL Environment database](#) for additional information regarding this product's certification.

The appearance of a company's name or product in this database does not in itself assure that products so identified have been manufactured under UL's Follow-Up Service. Only those products bearing the UL Mark should be considered to be Certified and covered under UL's Follow-Up Service. Always look for the Mark on the product.

UL permits the reproduction of the material contained in the Online Certification Directory subject to the following conditions: 1. The Guide Information, Assemblies, Constructions, Designs, Systems, and/or Certifications (files) must be presented in their entirety and in a non-misleading manner, without any manipulation of the data (or drawings). 2. The statement "Reprinted from the Online Certifications Directory with permission from UL" must appear adjacent to the extracted material. In addition, the reprinted material must include a copyright notice in the following format: "© 2013 UL LLC".